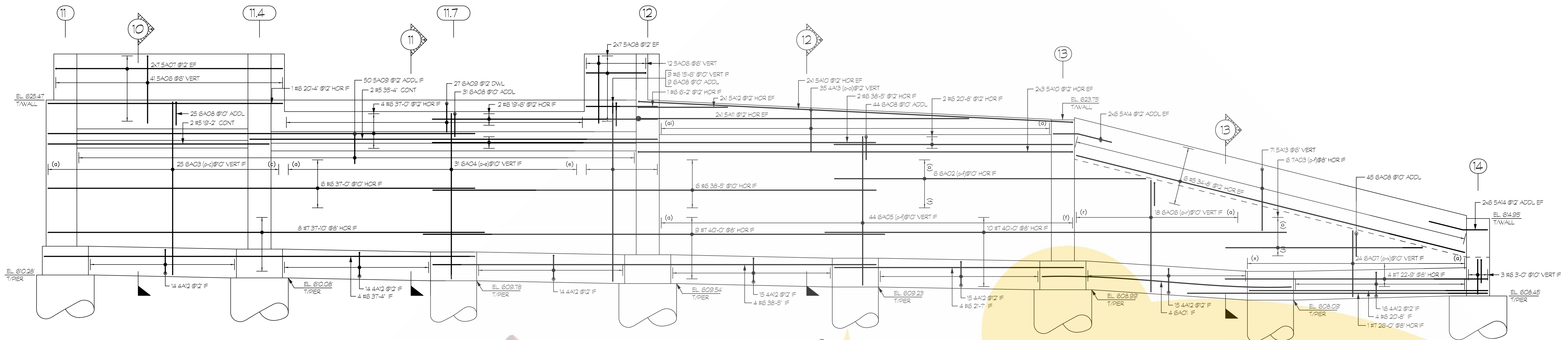
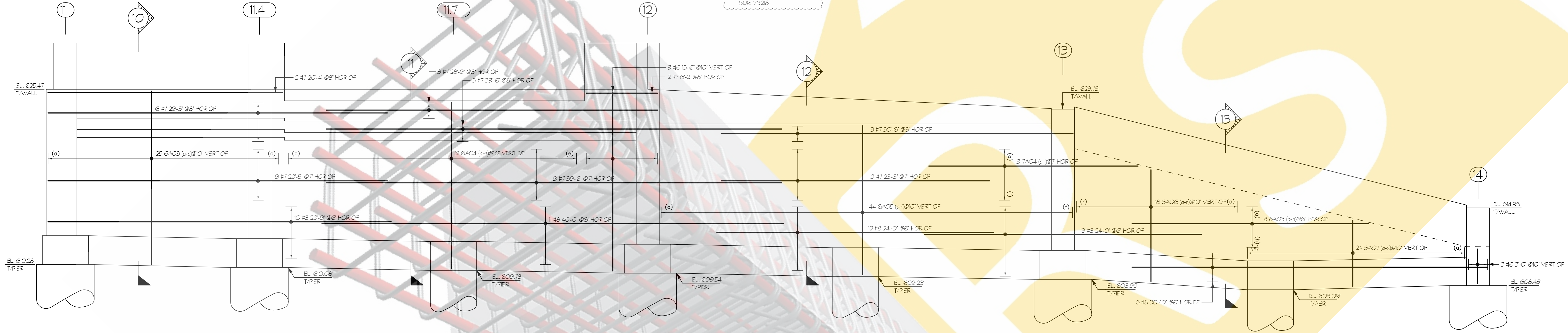


FOUNDATION REBAR LAYOUT  
 SCALE 1/2"=1'-0"  
 SDR 5/16"

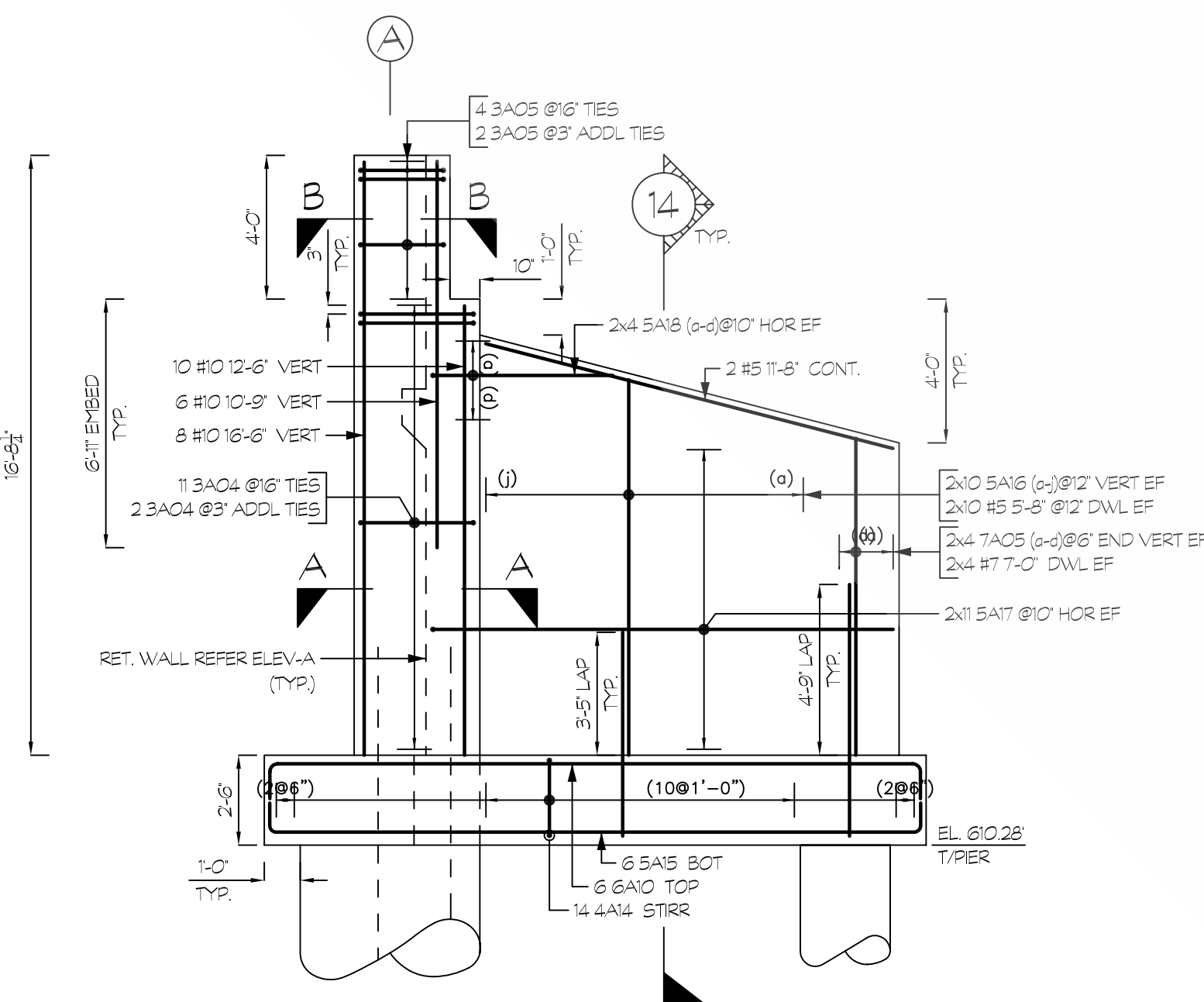
# ONCE REBAR SERVICES



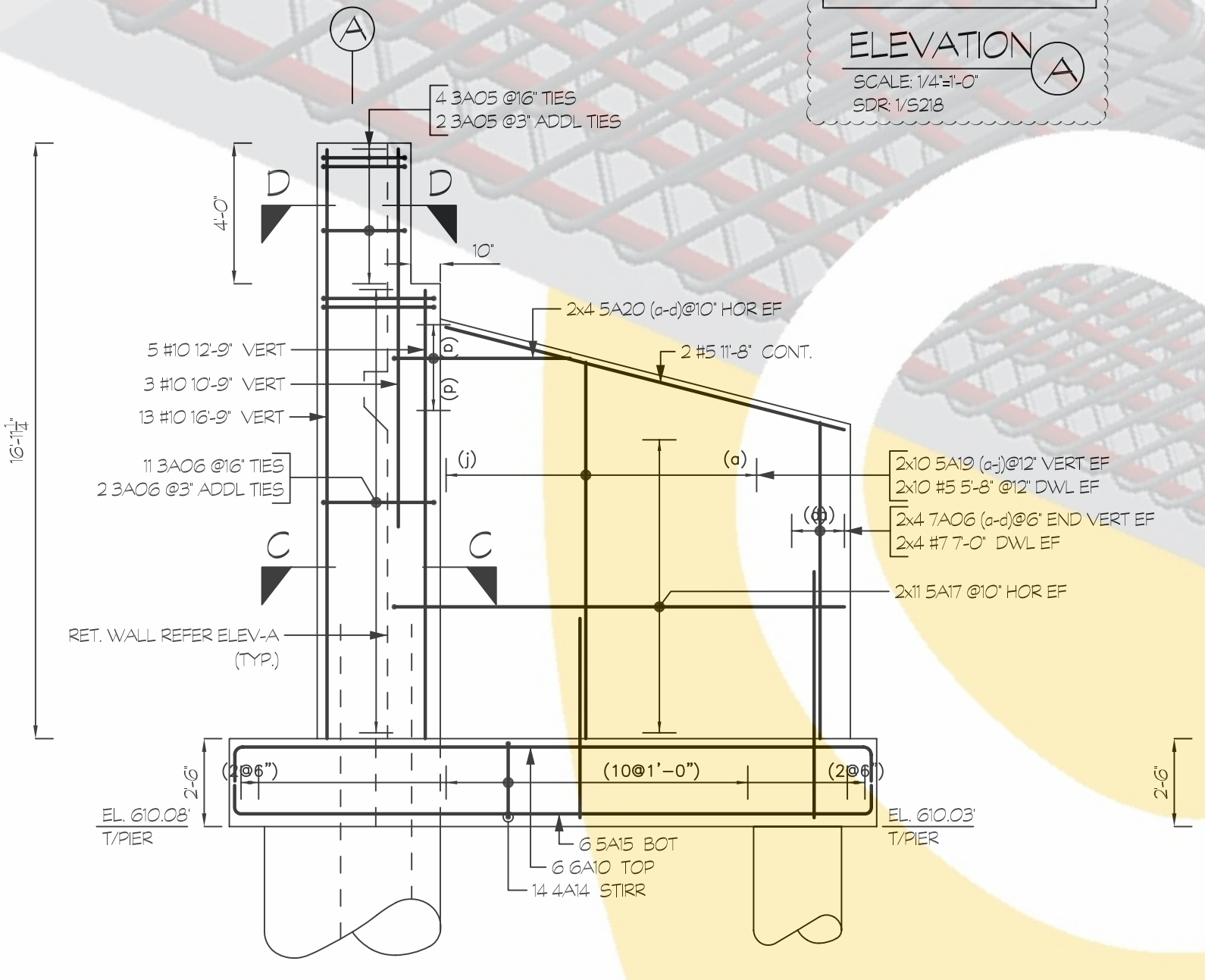
INNER FACE REBAR DETAILS  
 ELEVATION A  
 SCALE 1/4"=1'-0"  
 SDR 1/528



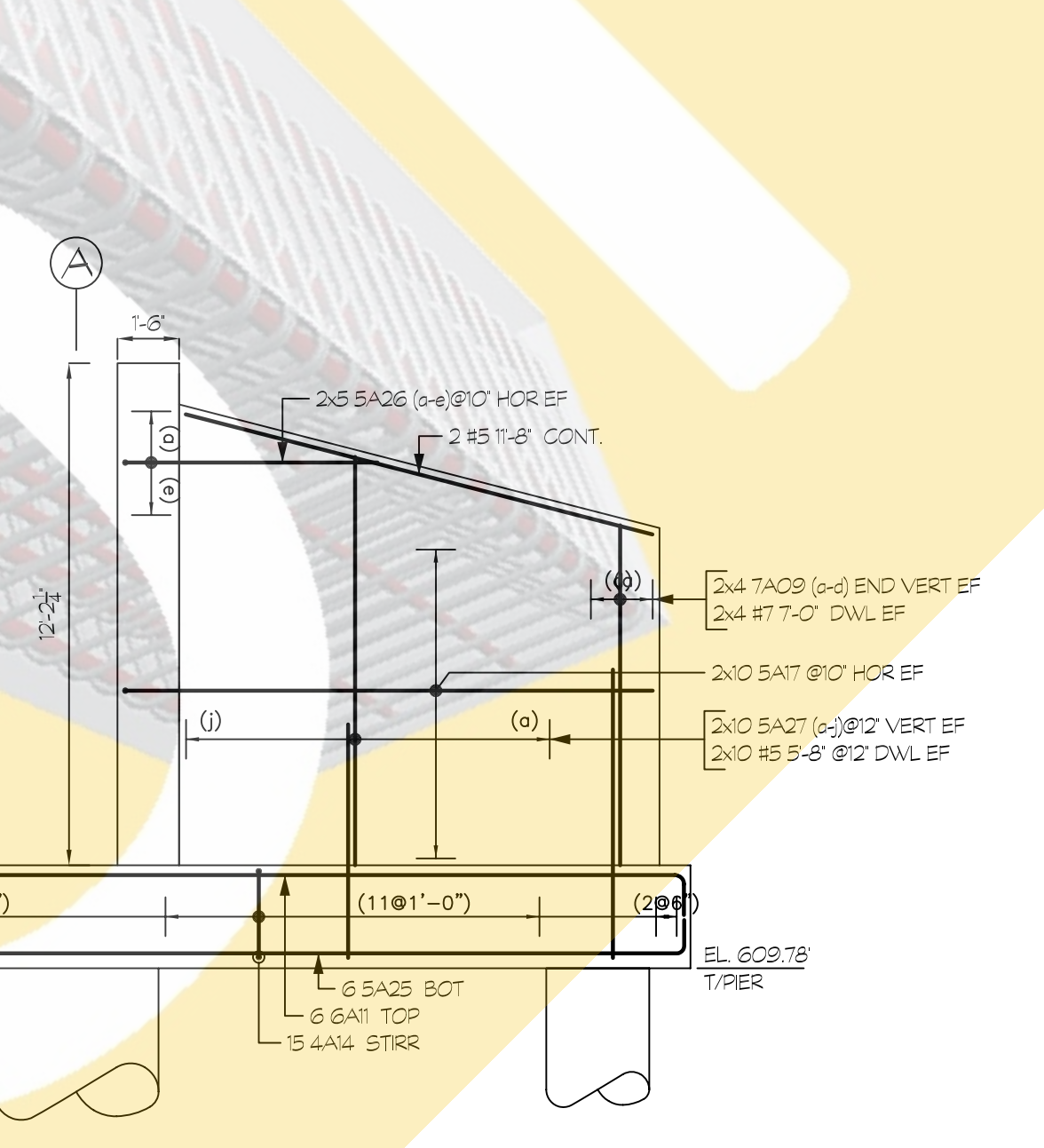
OUTER FACE REBAR DETAILS  
 ELEVATION A  
 SCALE 1/4"=1'-0"  
 SDR 1/528



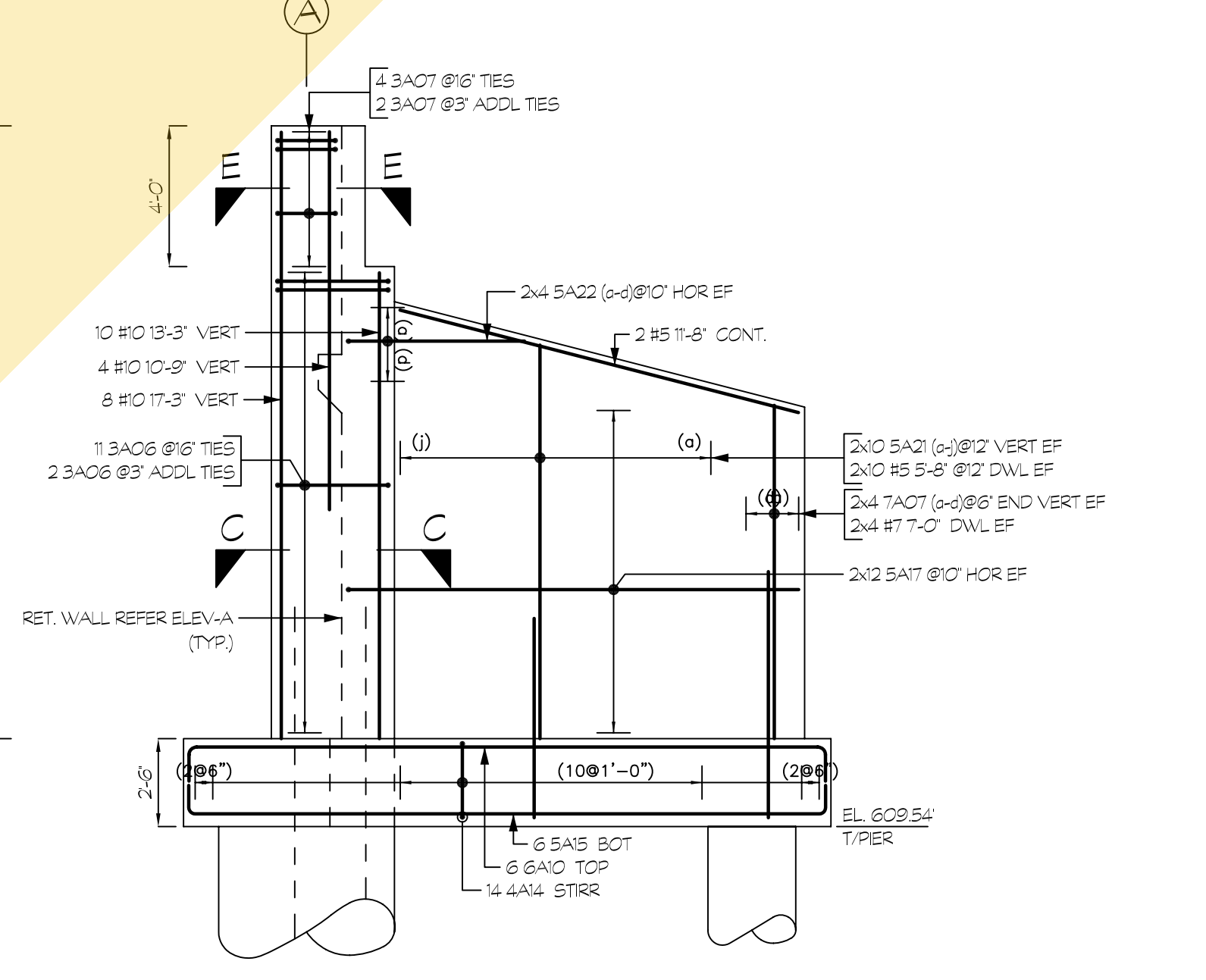
ELEVATION B  
 SCALE 1/4"=1'-0"  
 SDR 1/528



ELEVATION C  
 SCALE 1/4"=1'-0"  
 SDR 1/528

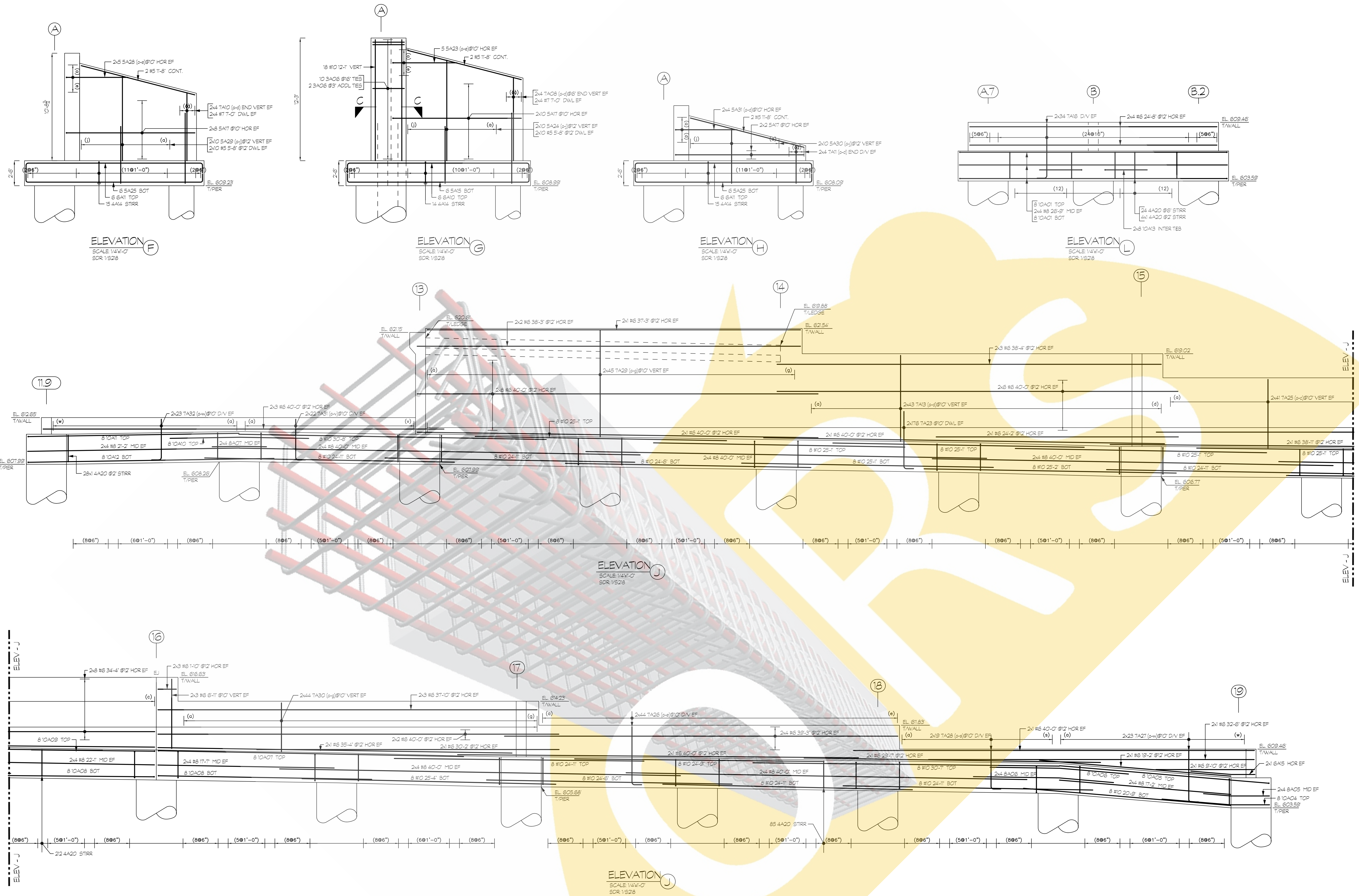


ELEVATION D  
 SCALE 1/4"=1'-0"  
 SDR 1/528

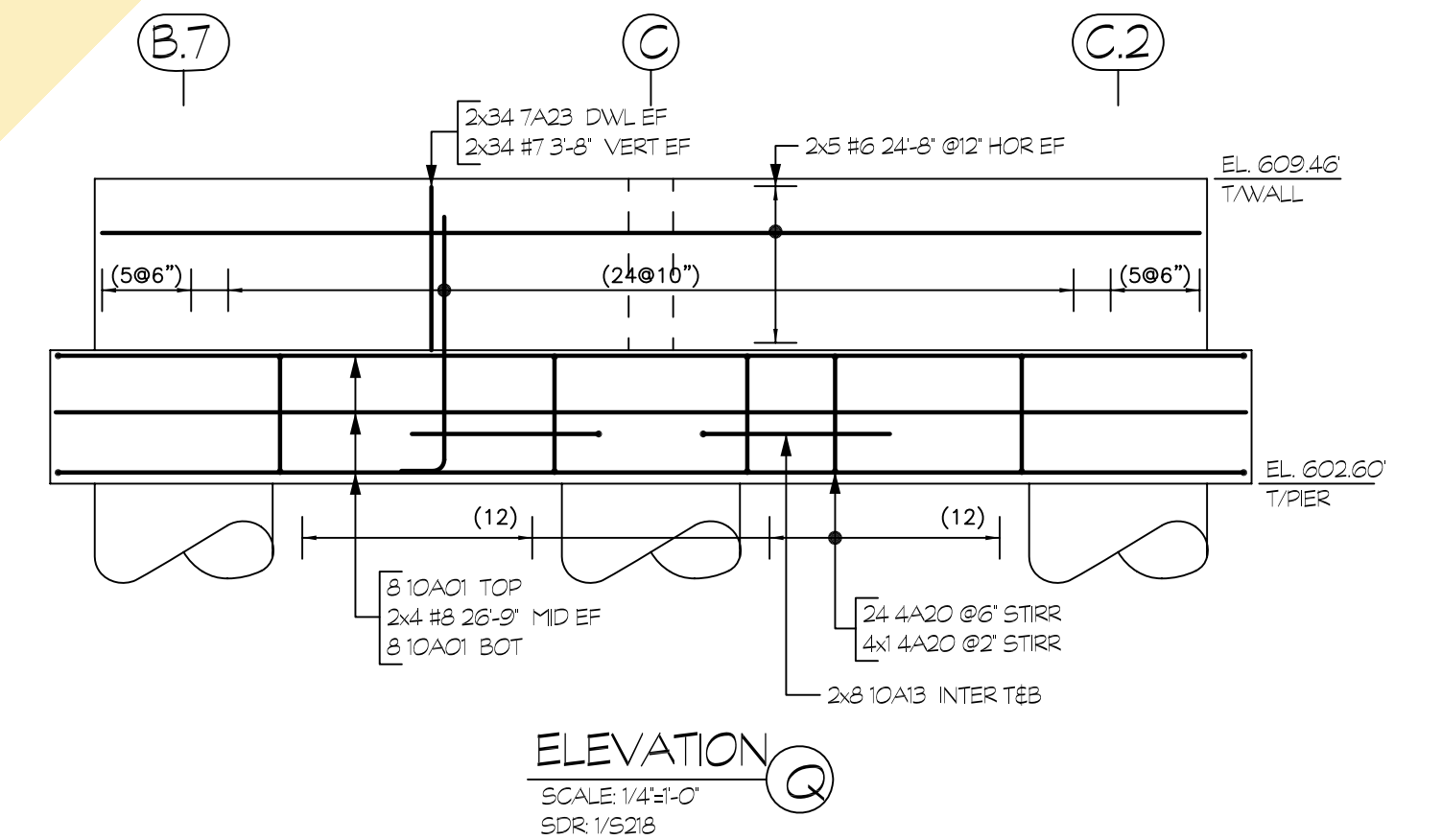
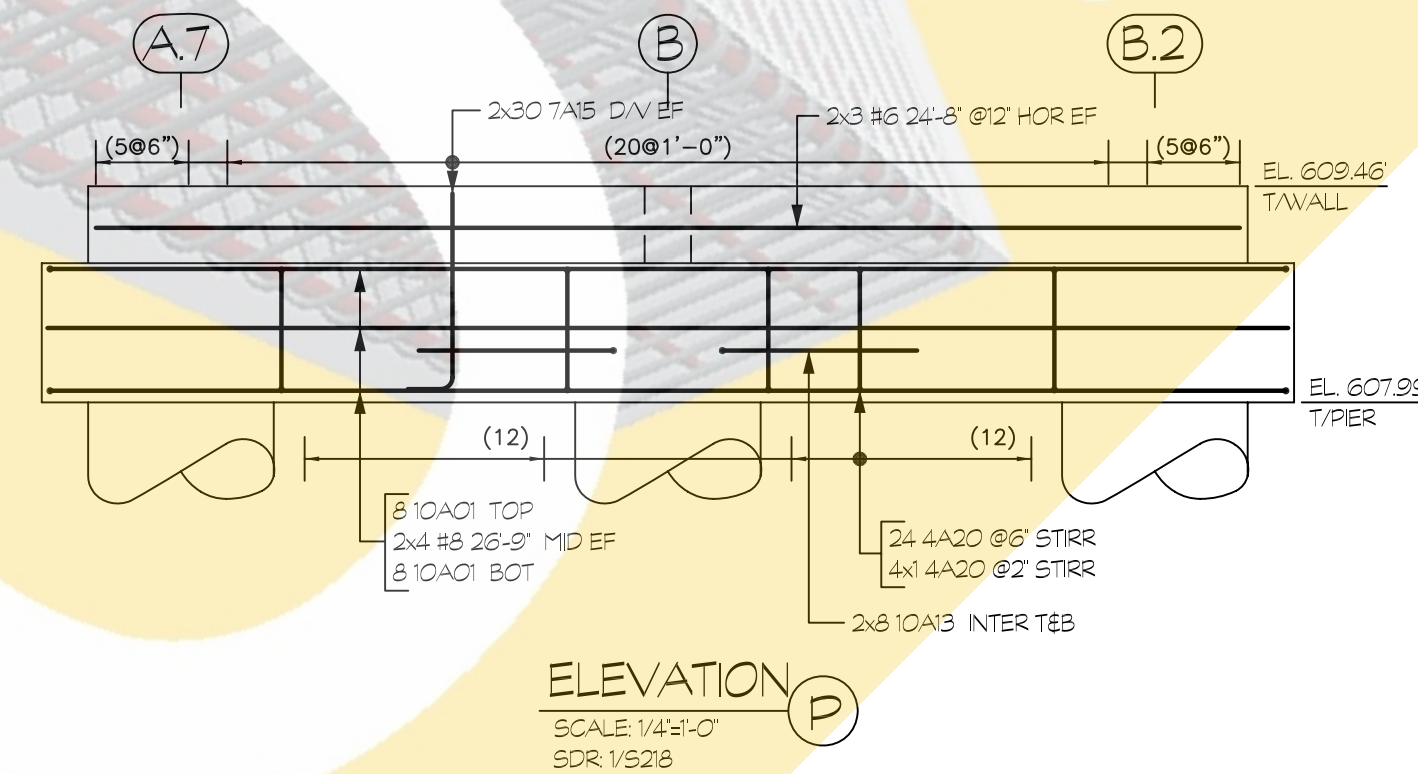
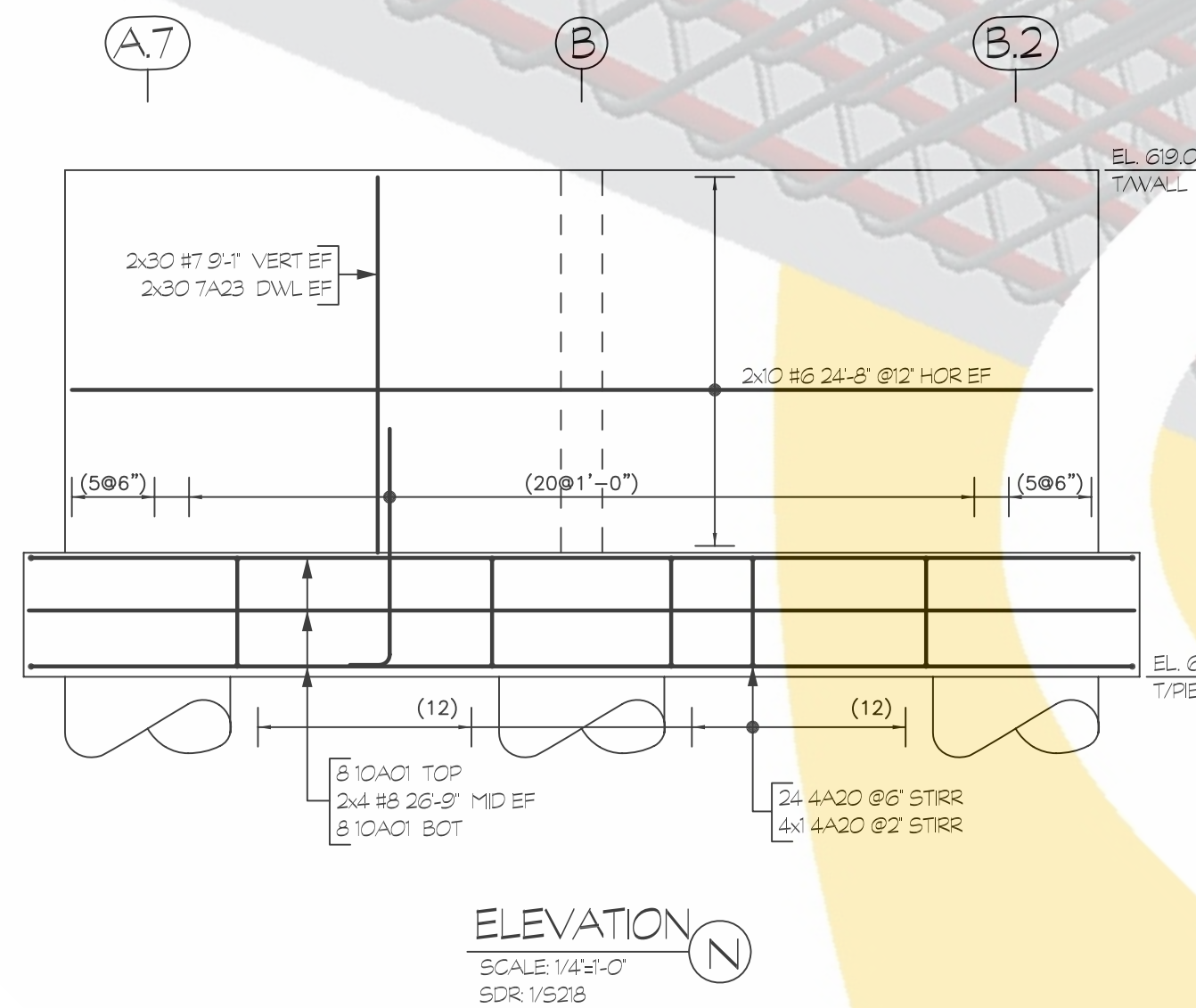
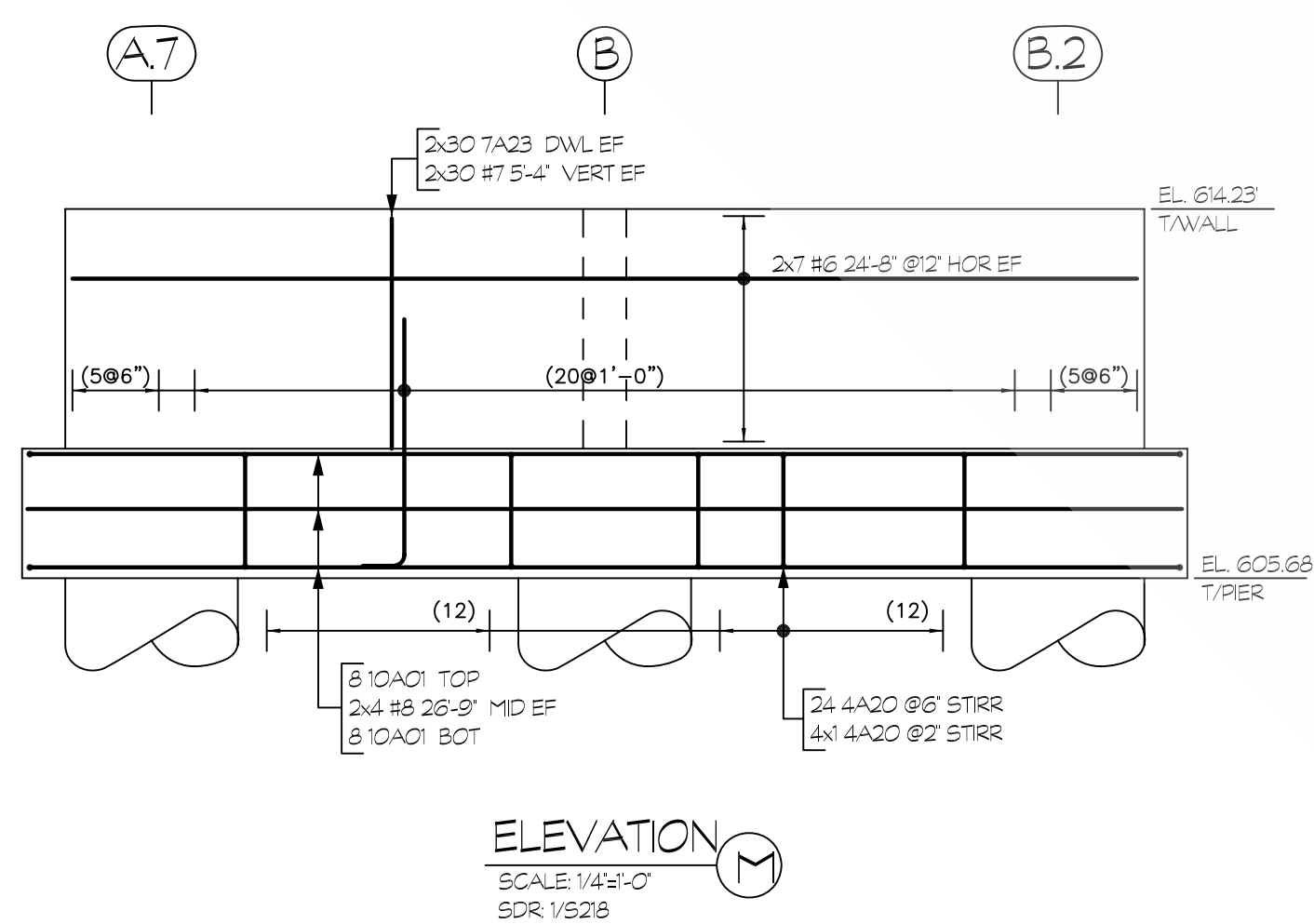
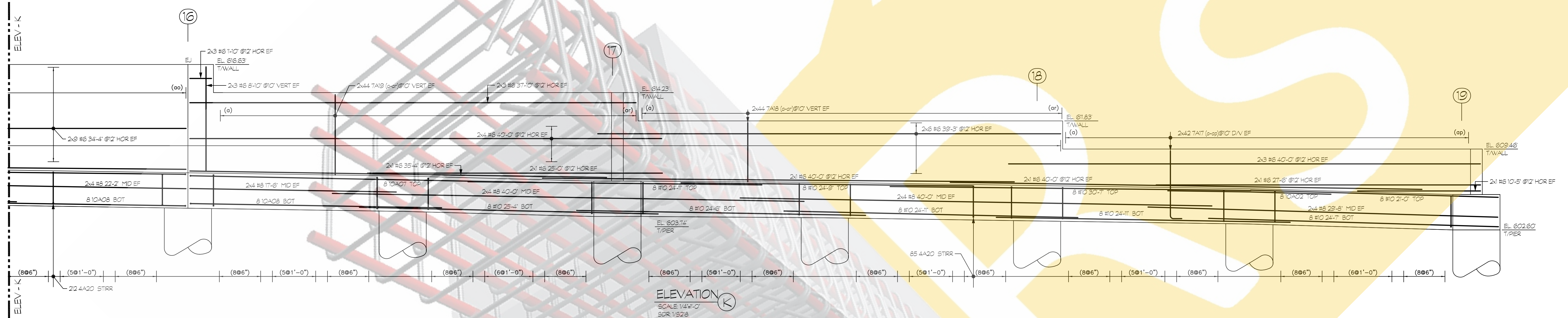
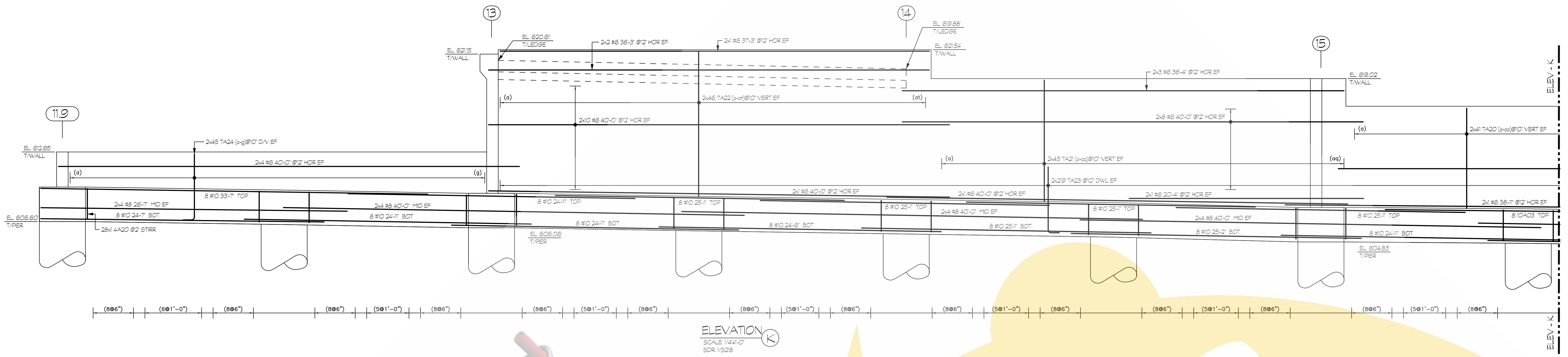


ELEVATION E  
 SCALE 1/4"=1'-0"  
 SDR 1/528

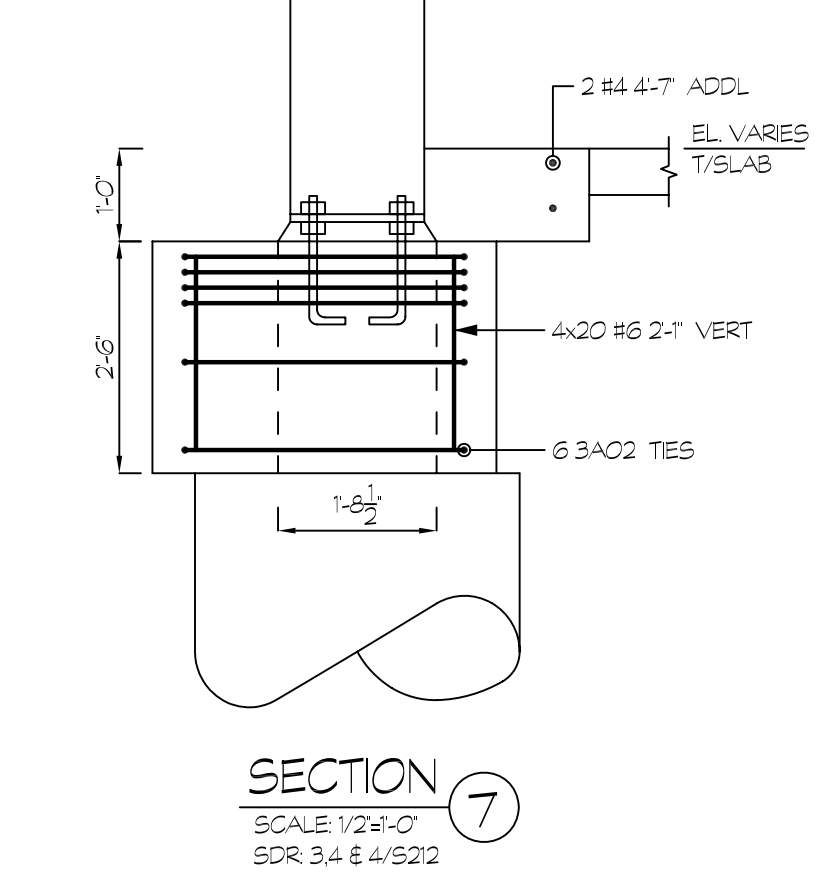
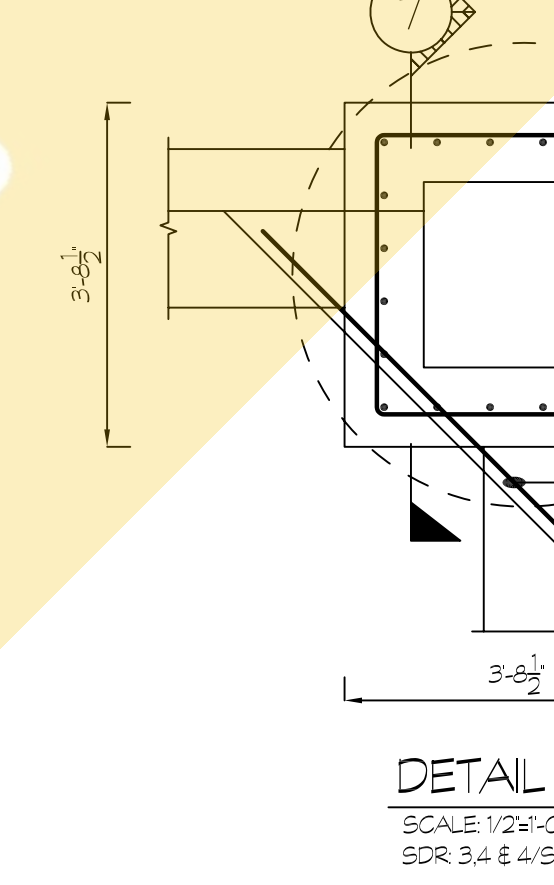
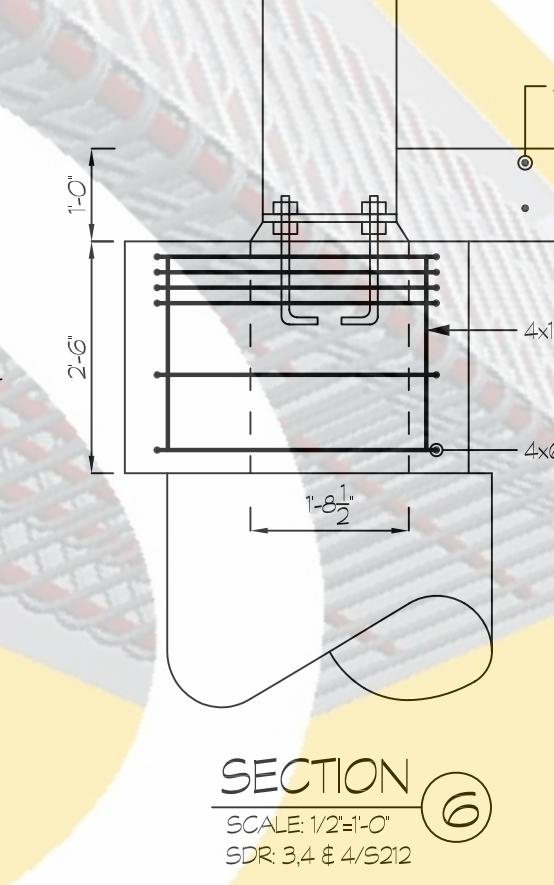
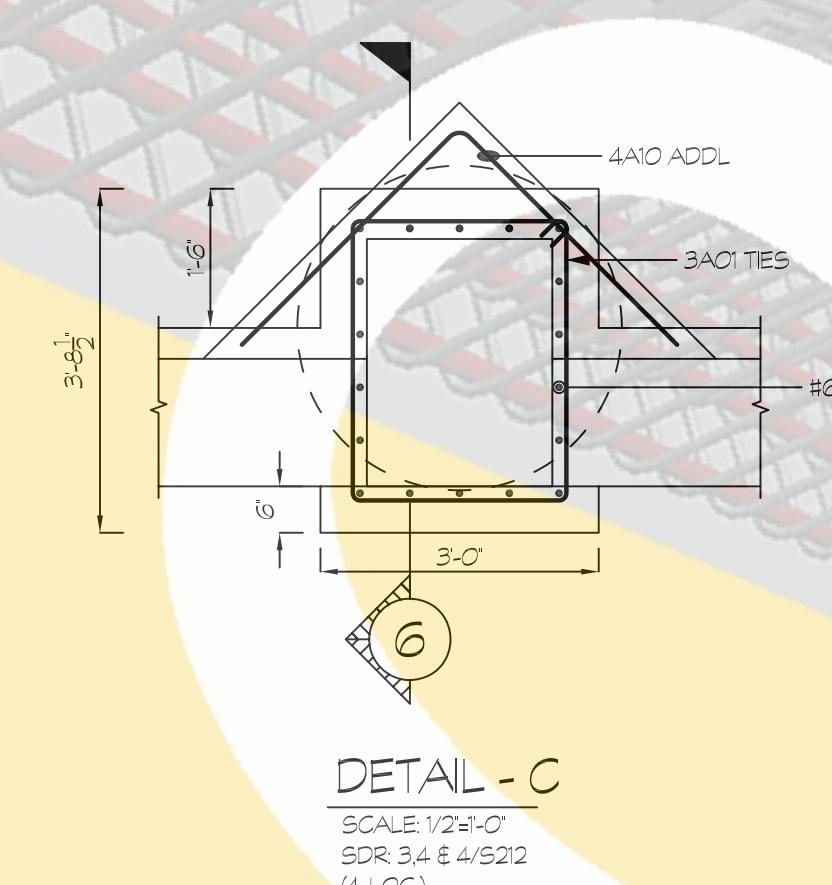
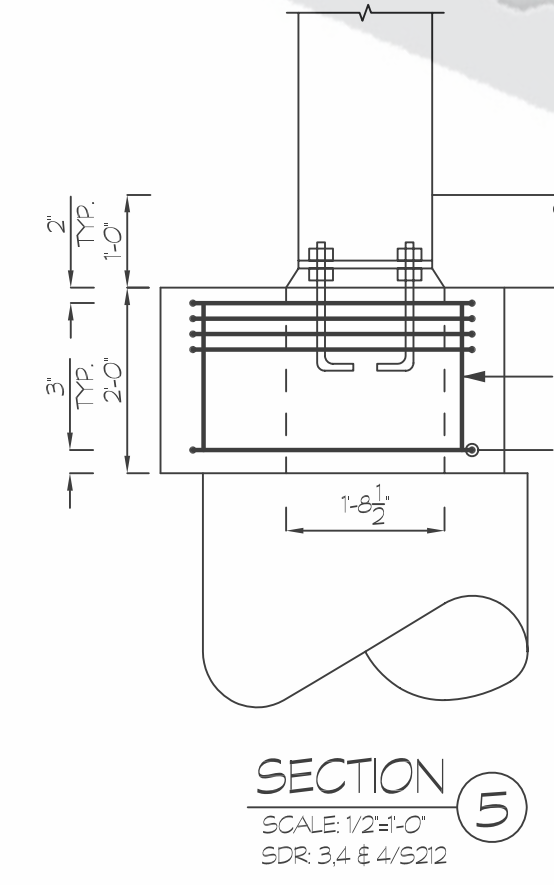
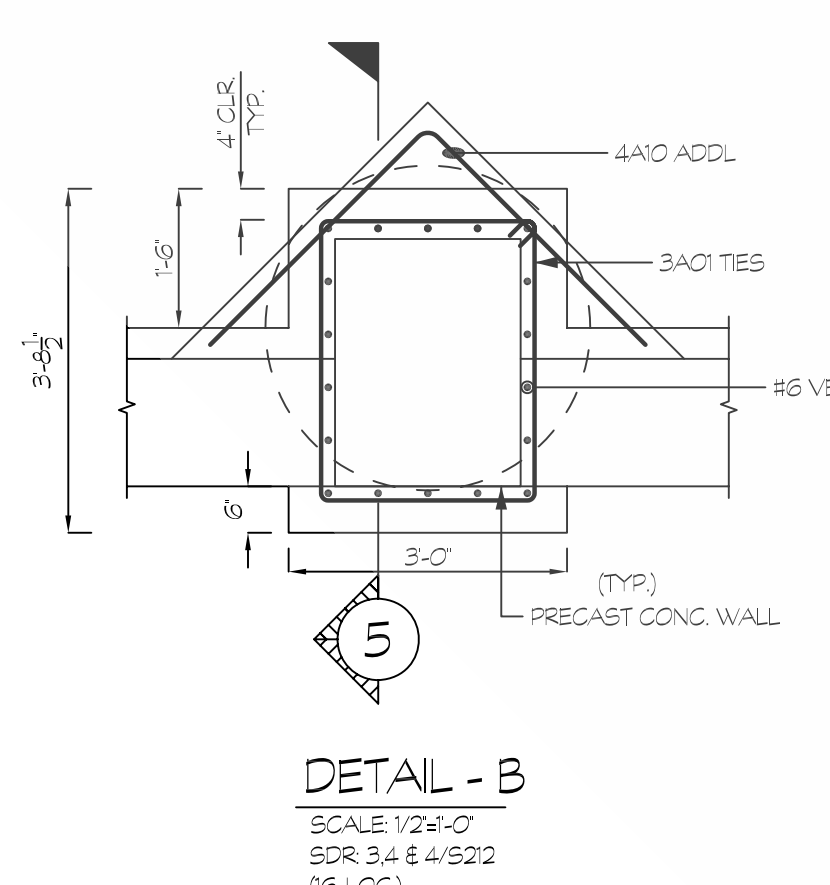
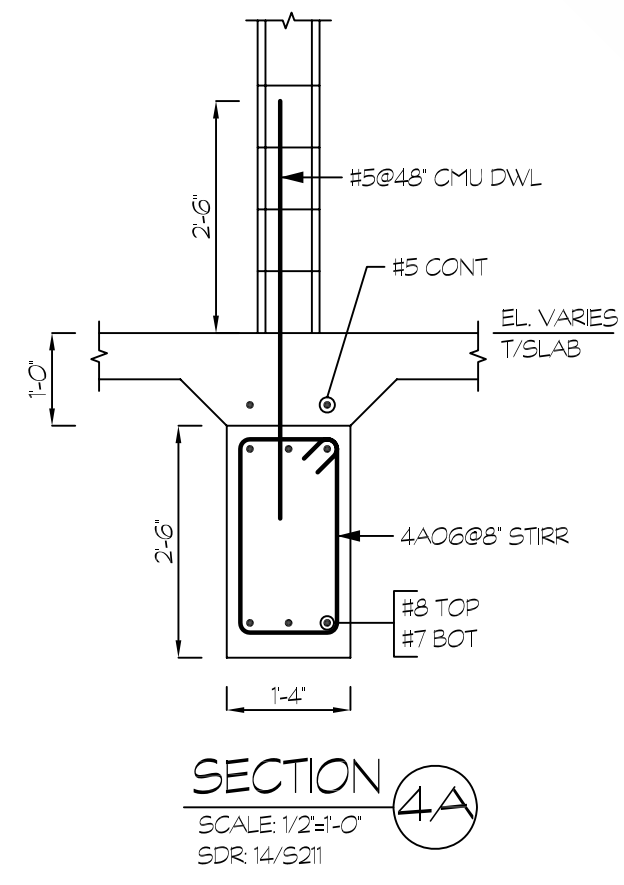
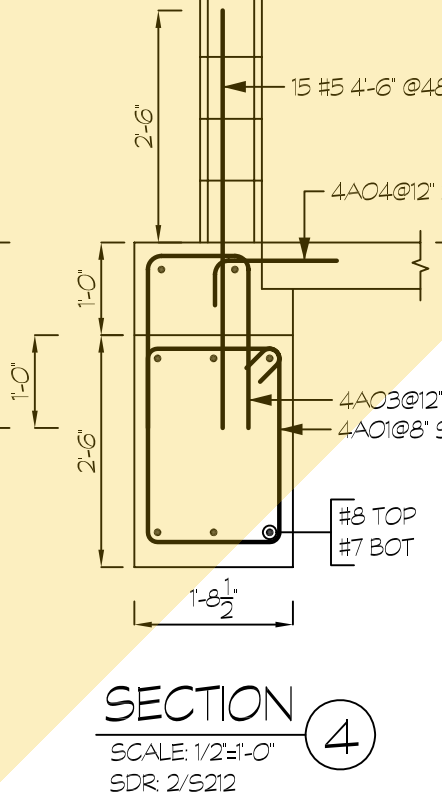
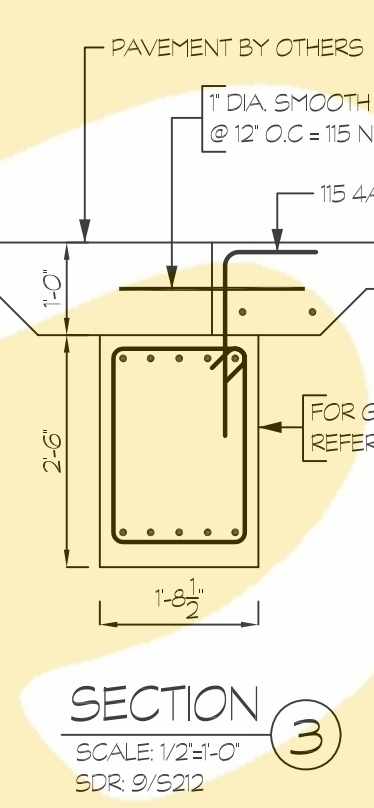
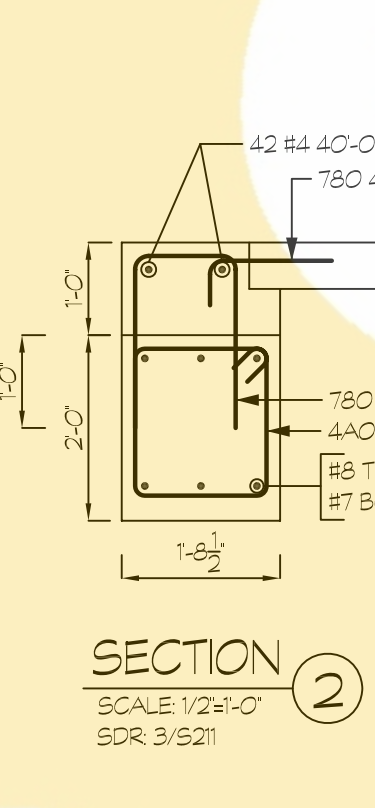
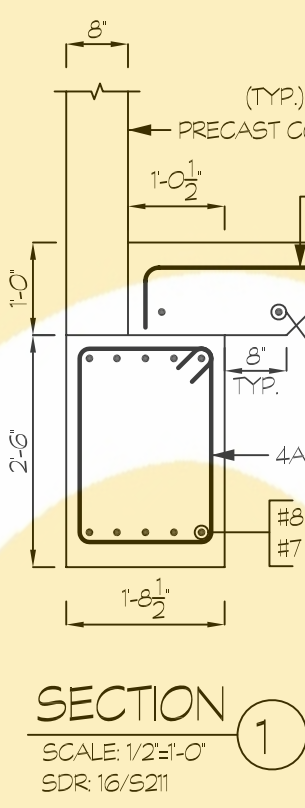
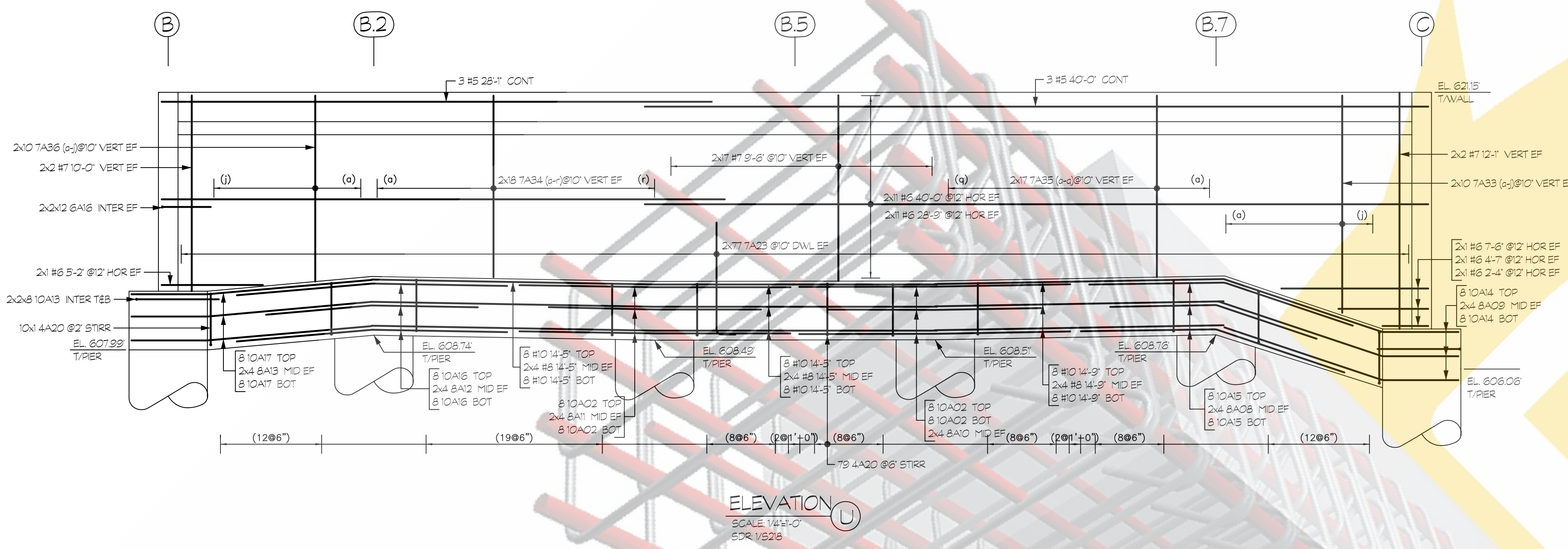
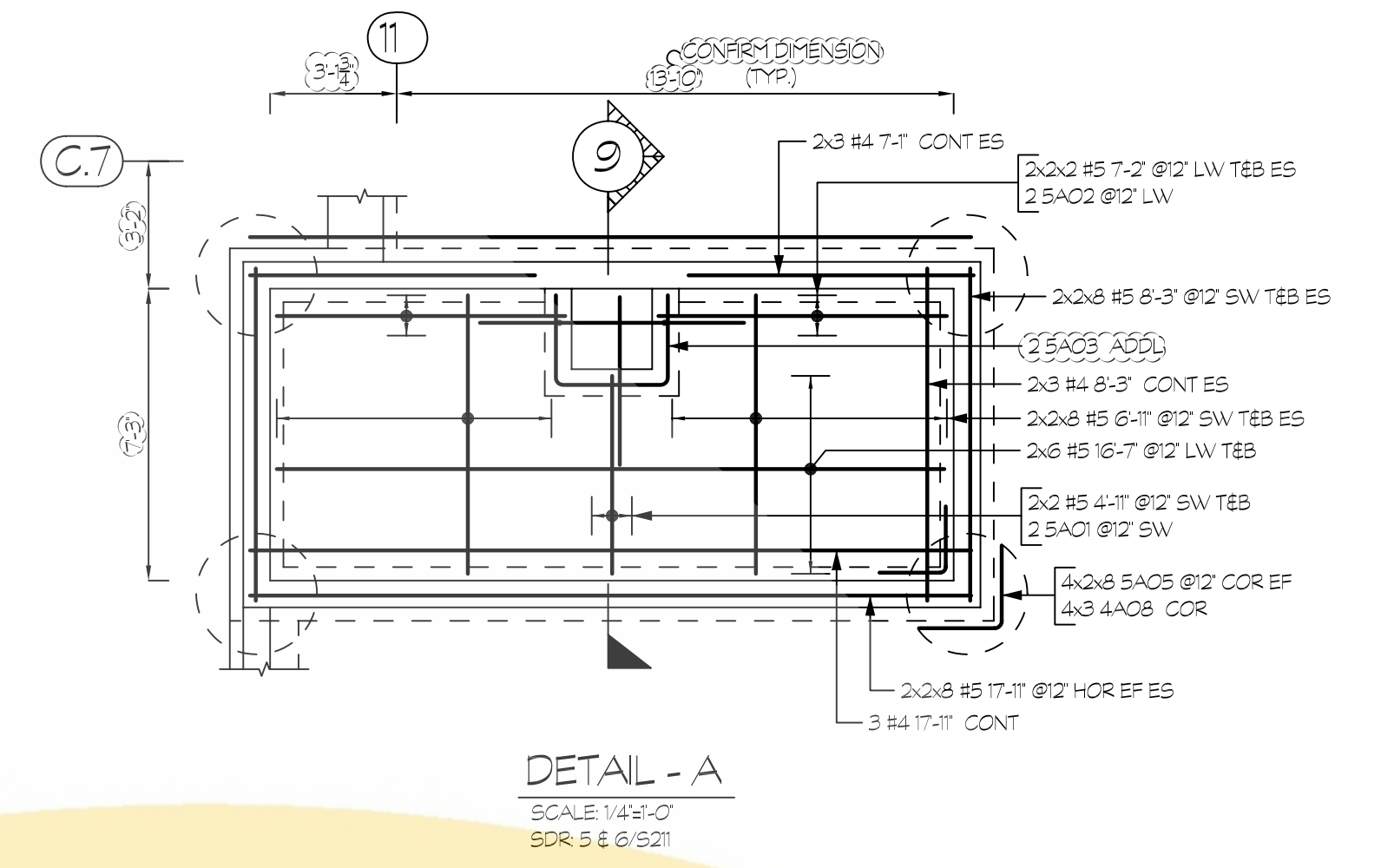
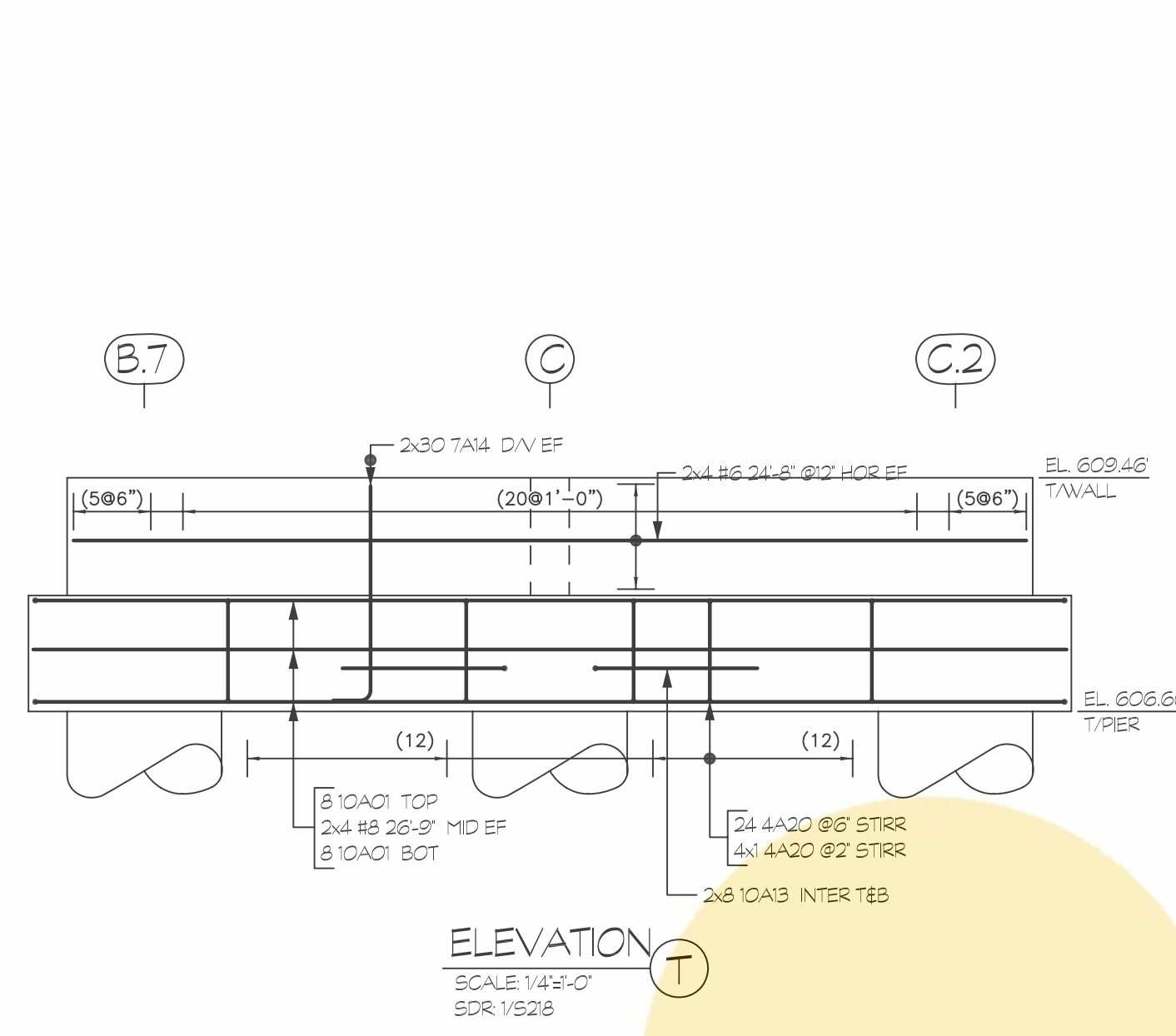
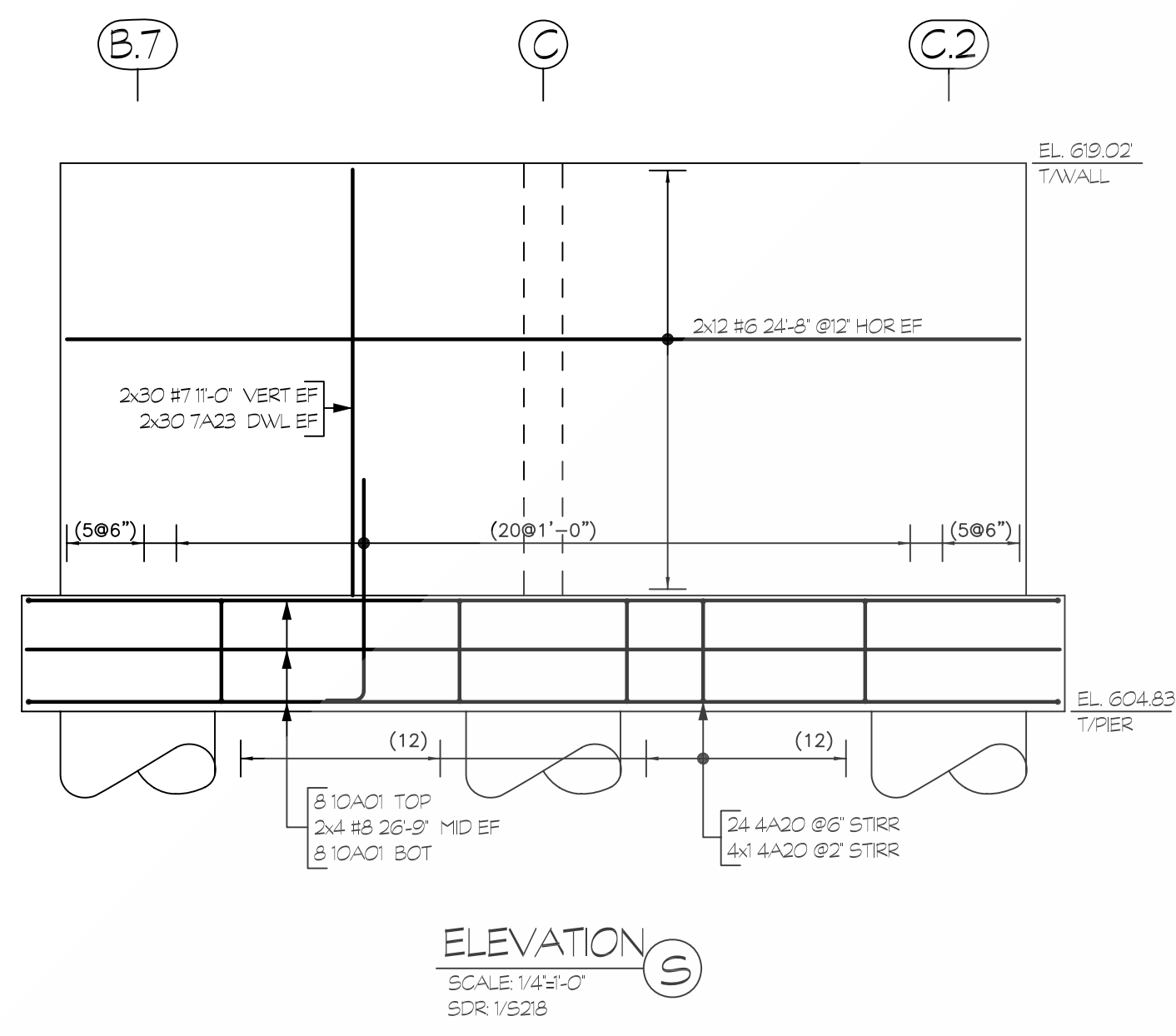
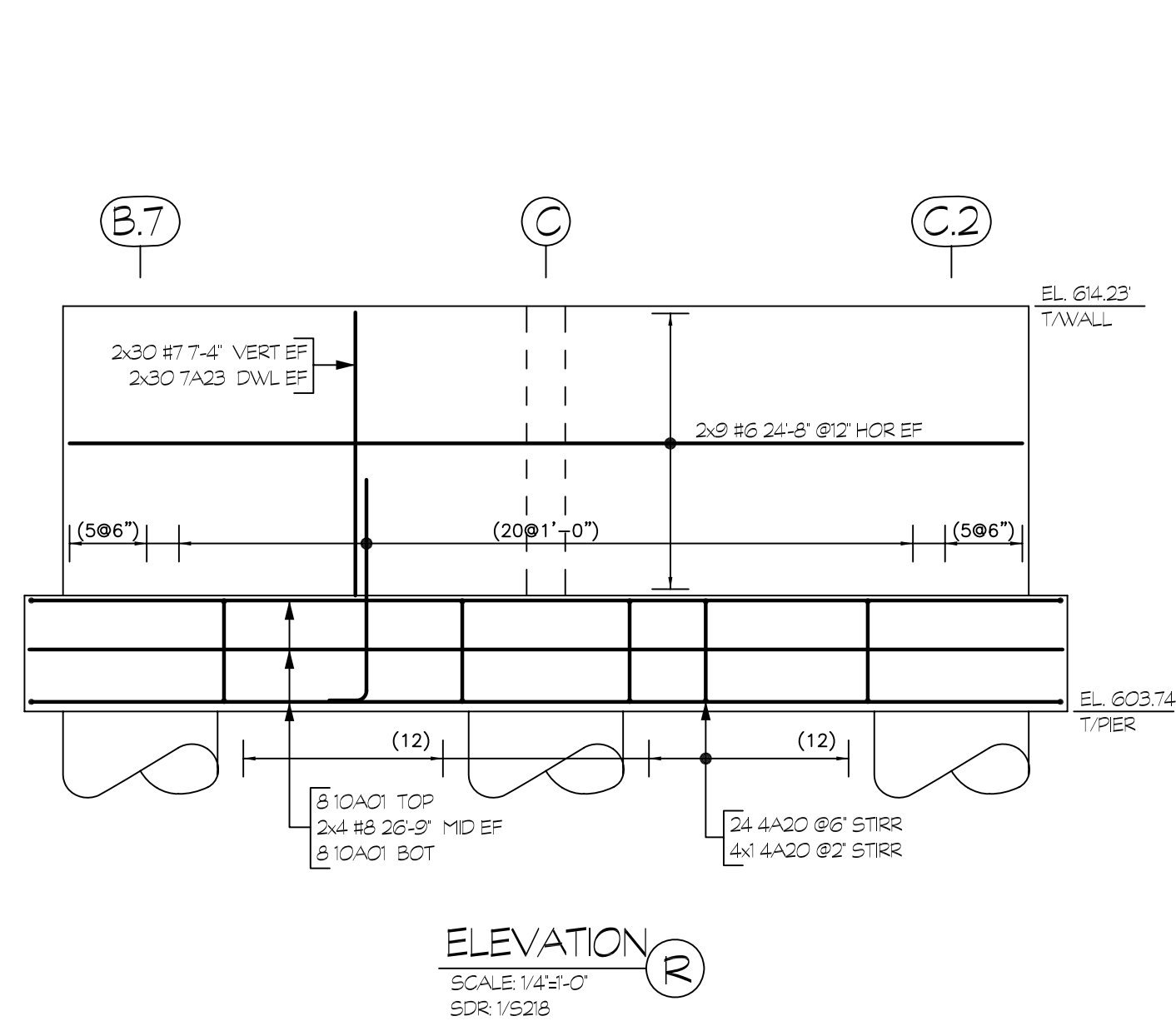
ONCE REBAR SERVICES



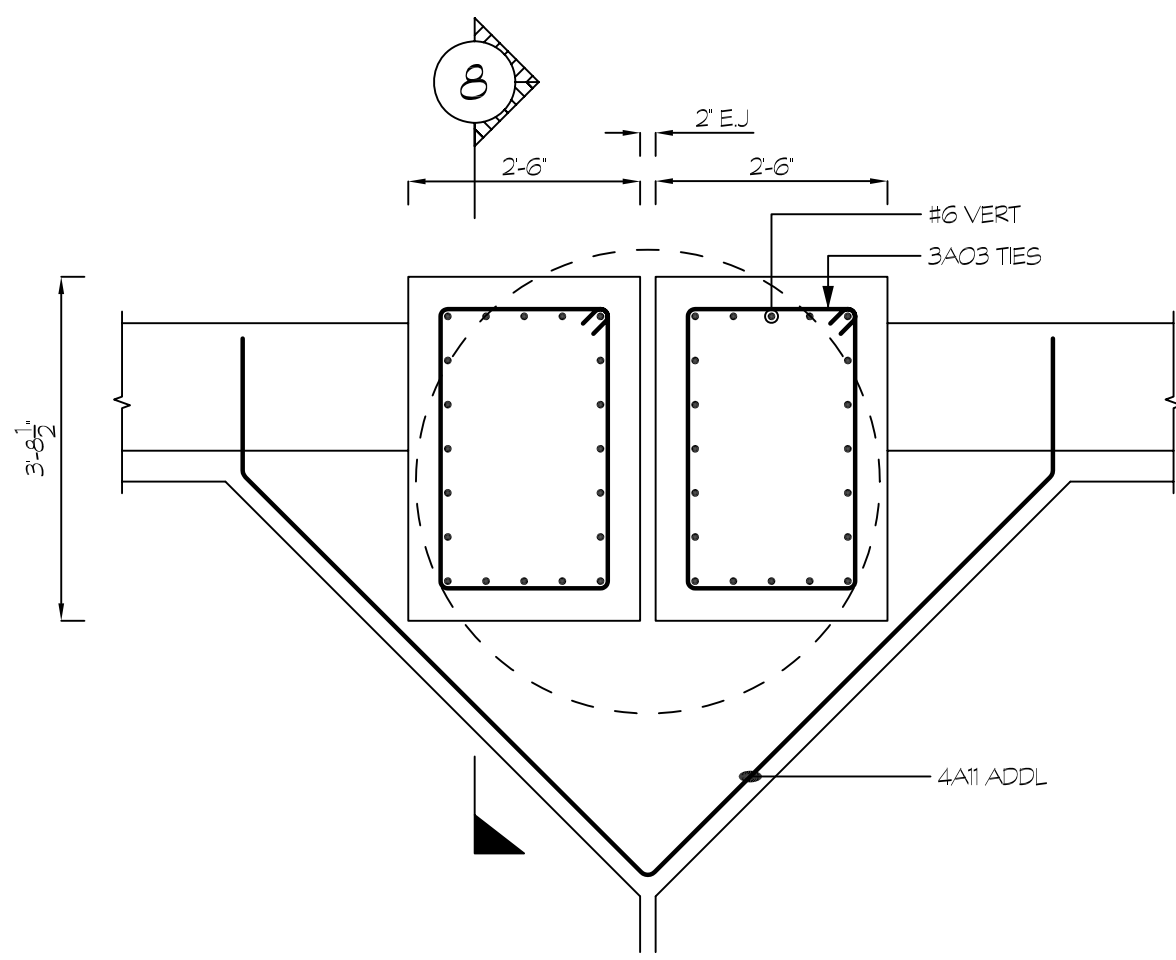
ONCE REBAR SERVICES



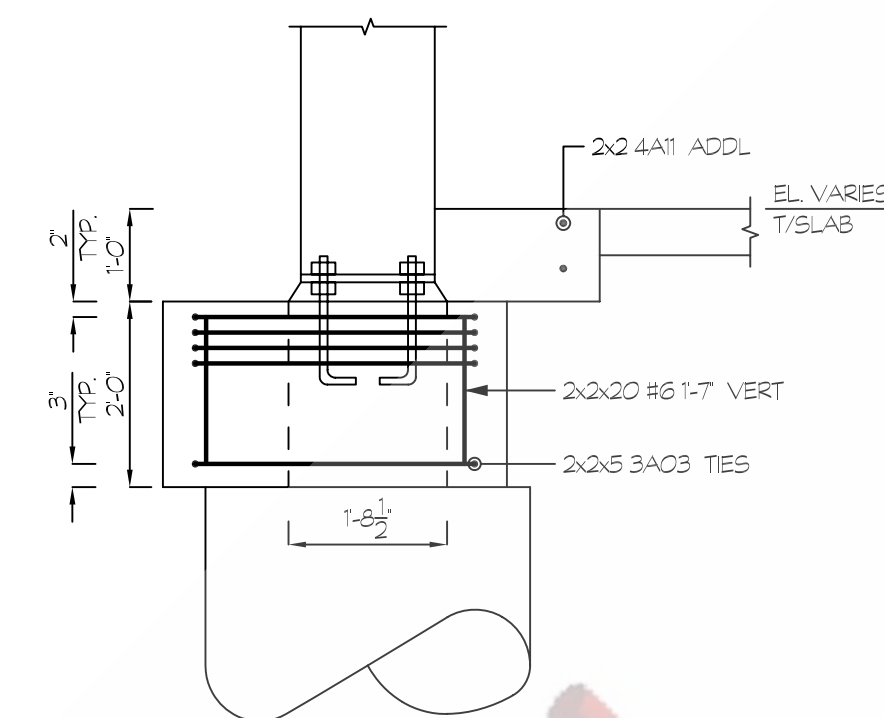
ONCE REBAR SERVICES



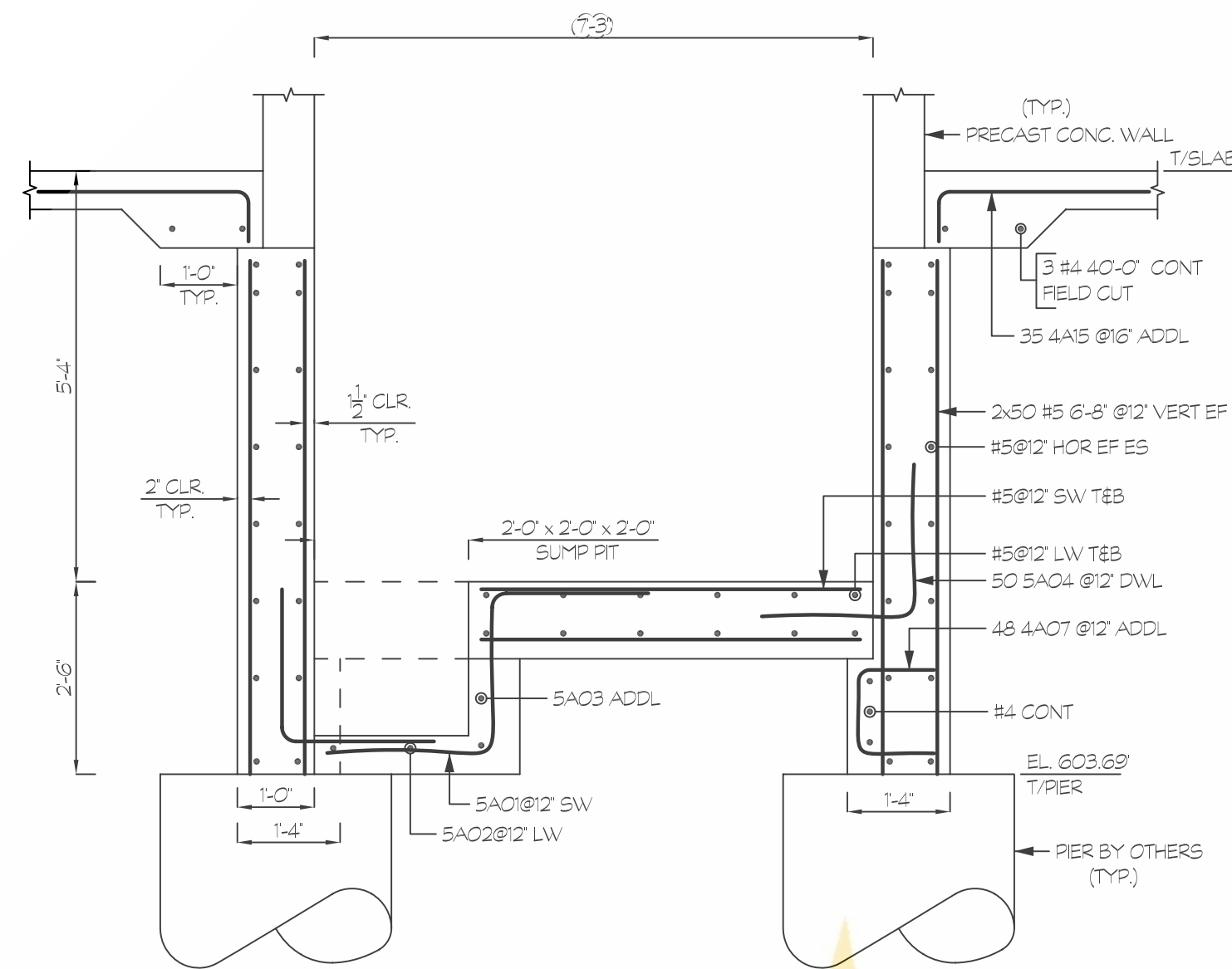
ONCE REBAR SERVICES



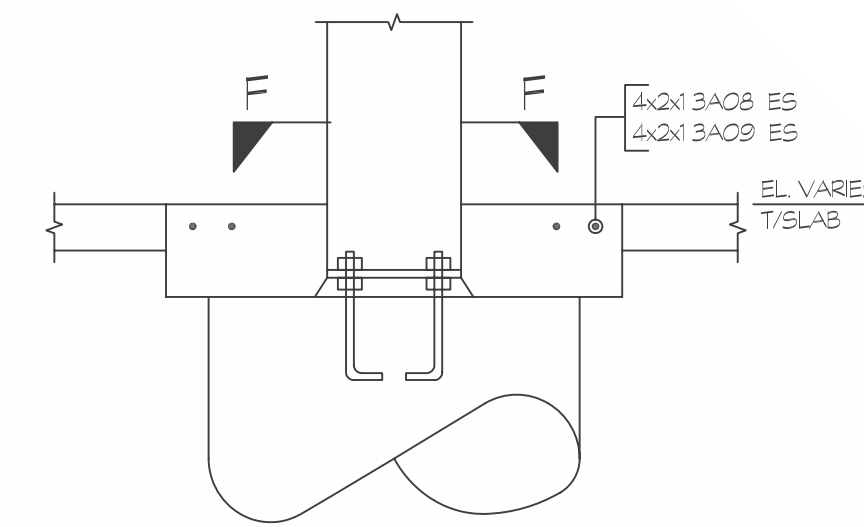
**DETAIL - E**  
SCALE 1/2"=1'-0"  
SDR 6.7 & 8/522  
(2-LOC.)



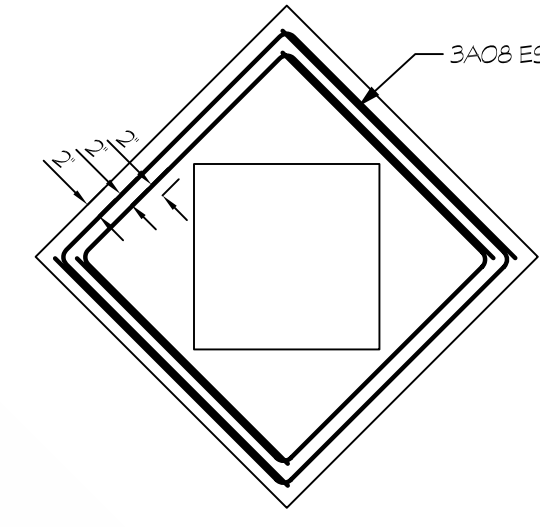
**SECTION 8**  
SCALE 1/2"=1'-0"  
SDR 6.7 & 8/522



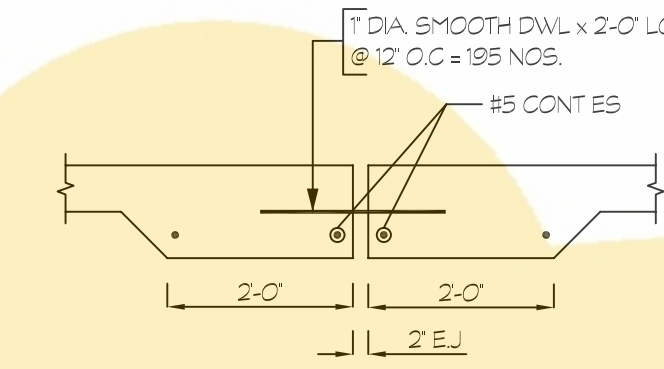
**SECTION 9**  
SCALE 1/2"=1'-0"  
SDR 6/521



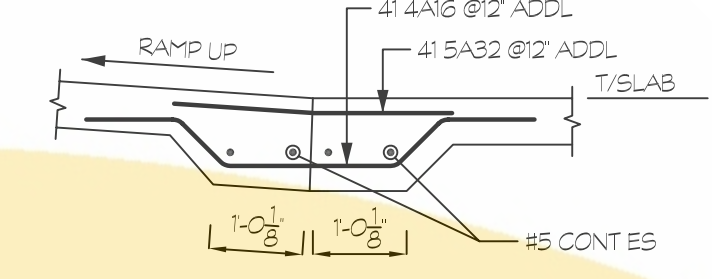
**SECTION 15**  
SCALE 1/2"=1'-0"  
SDR 16/522  
(4-LOC.)



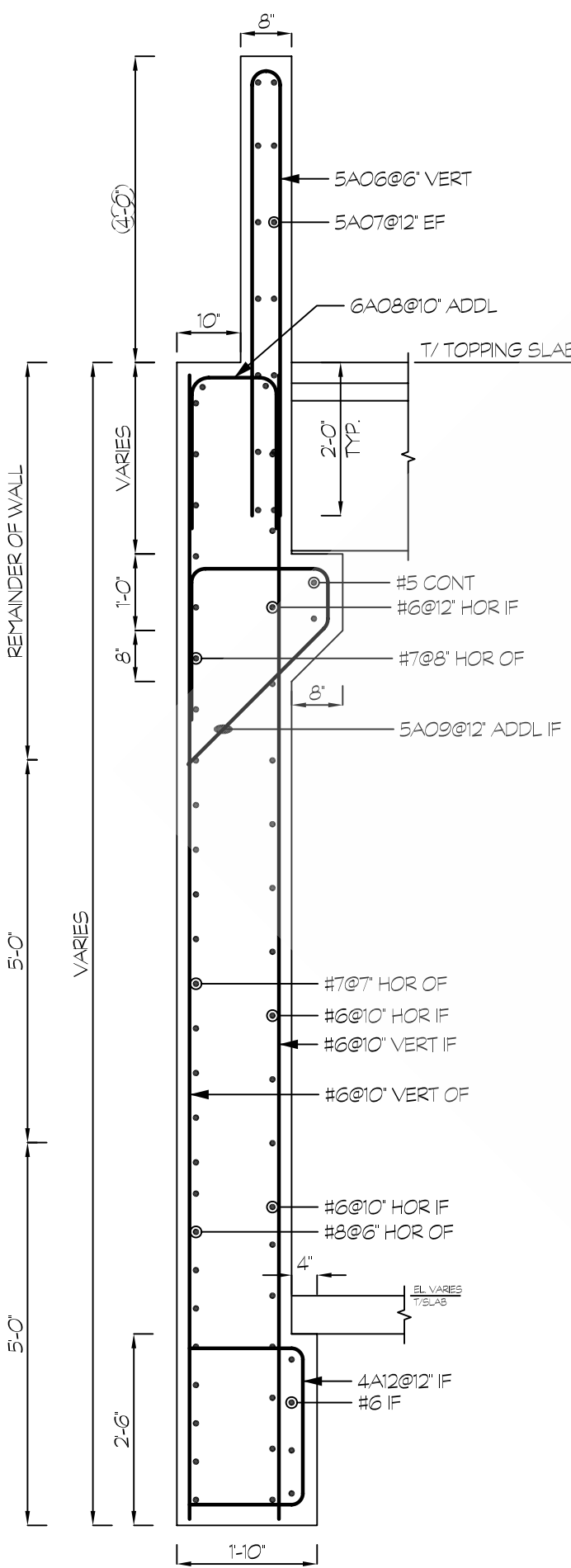
**SECTION F-F**  
SCALE 1/2"=1'-0"  
SDR 15/522  
(4-LOC.)



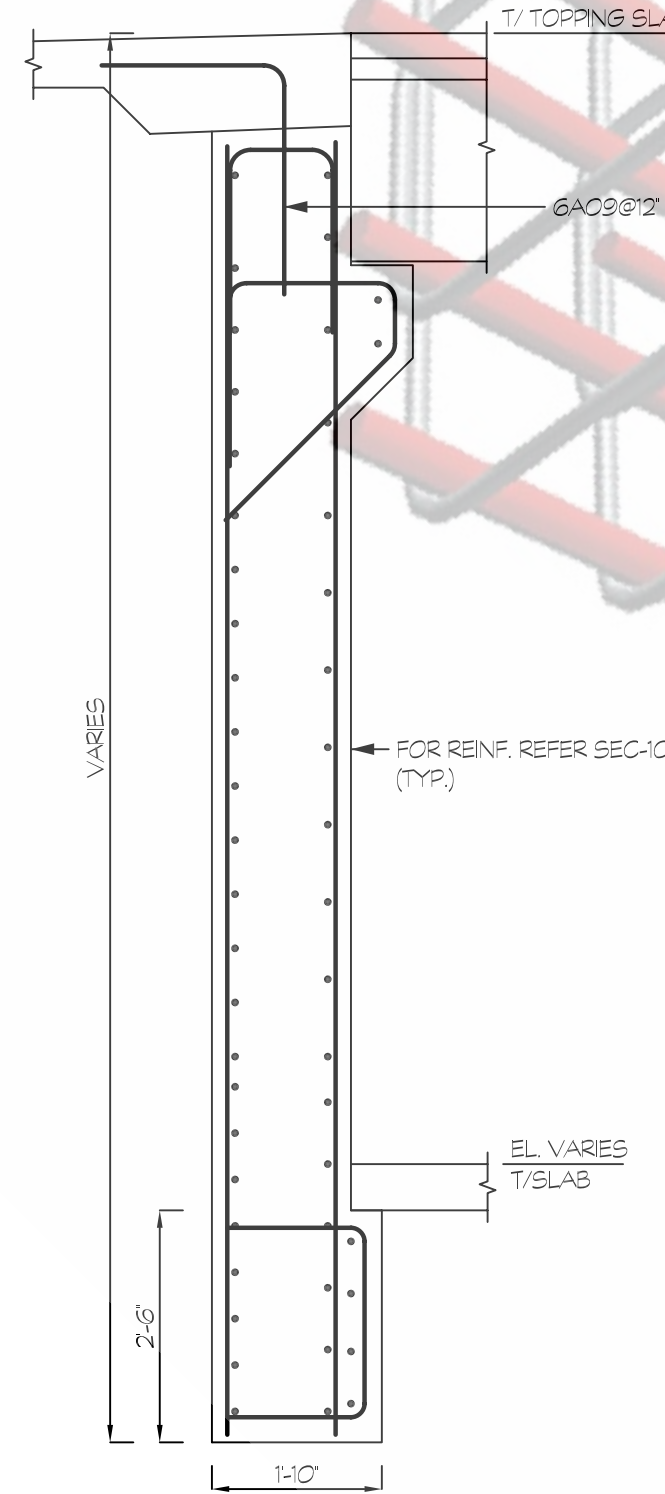
**SECTION 16**  
SCALE 1/2"=1'-0"  
SDR 12/521



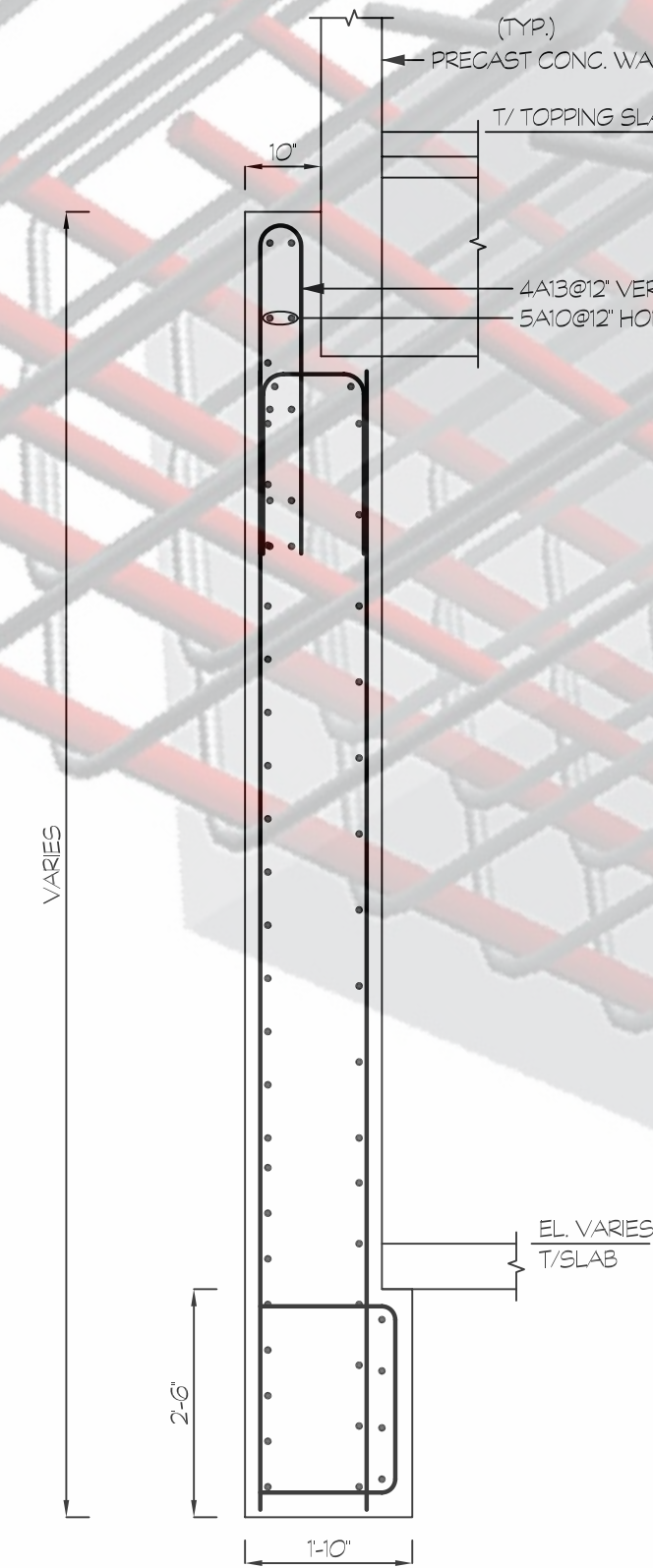
**SECTION 17**  
SCALE 1/2"=1'-0"  
SDR 8/521



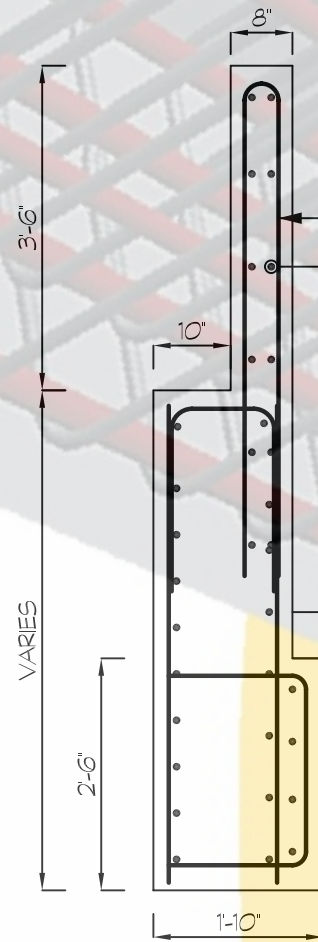
**SECTION 10**  
SCALE 1/2"=1'-0"  
SDR 6/525



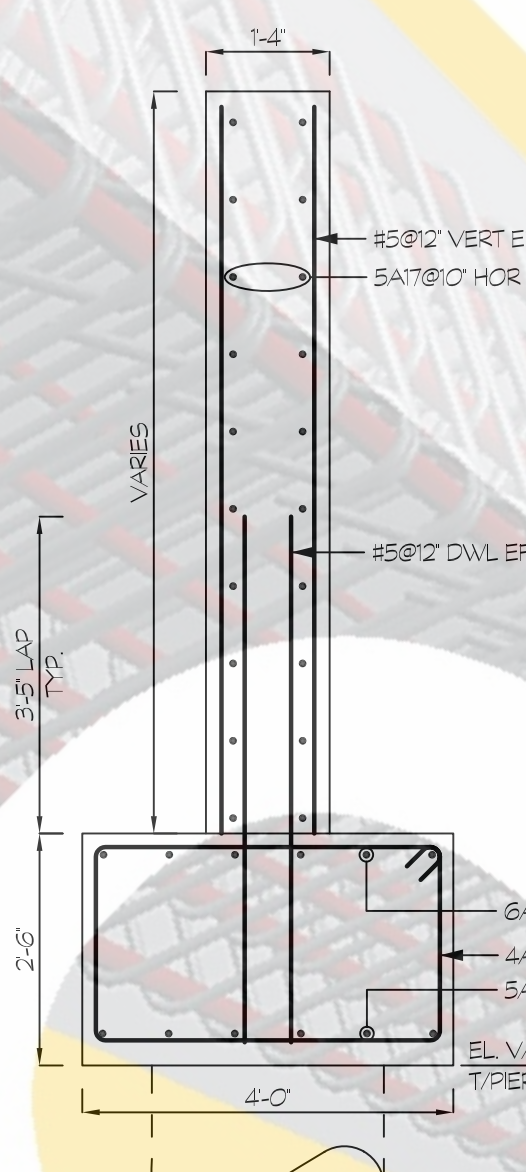
**SECTION 11**  
SCALE 1/2"=1'-0"  
SDR 5/525



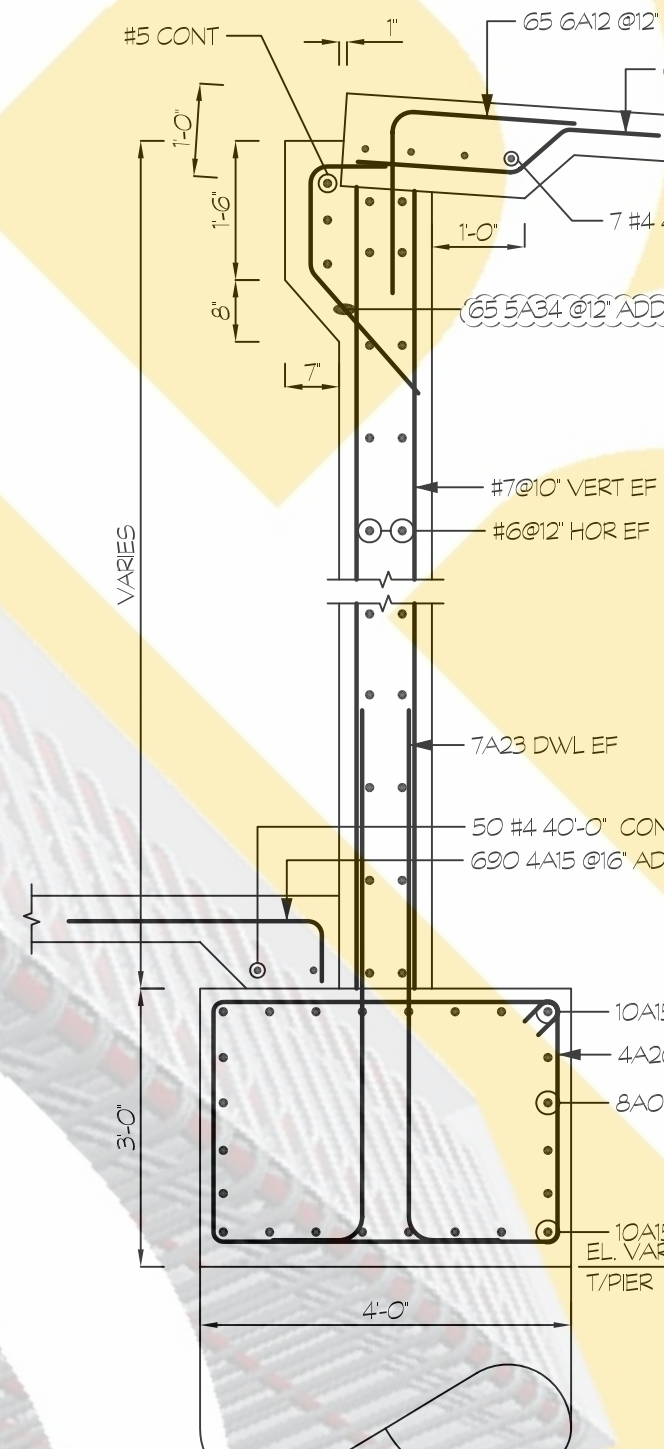
**SECTION 12**  
SCALE 1/2"=1'-0"  
SDR 3/525



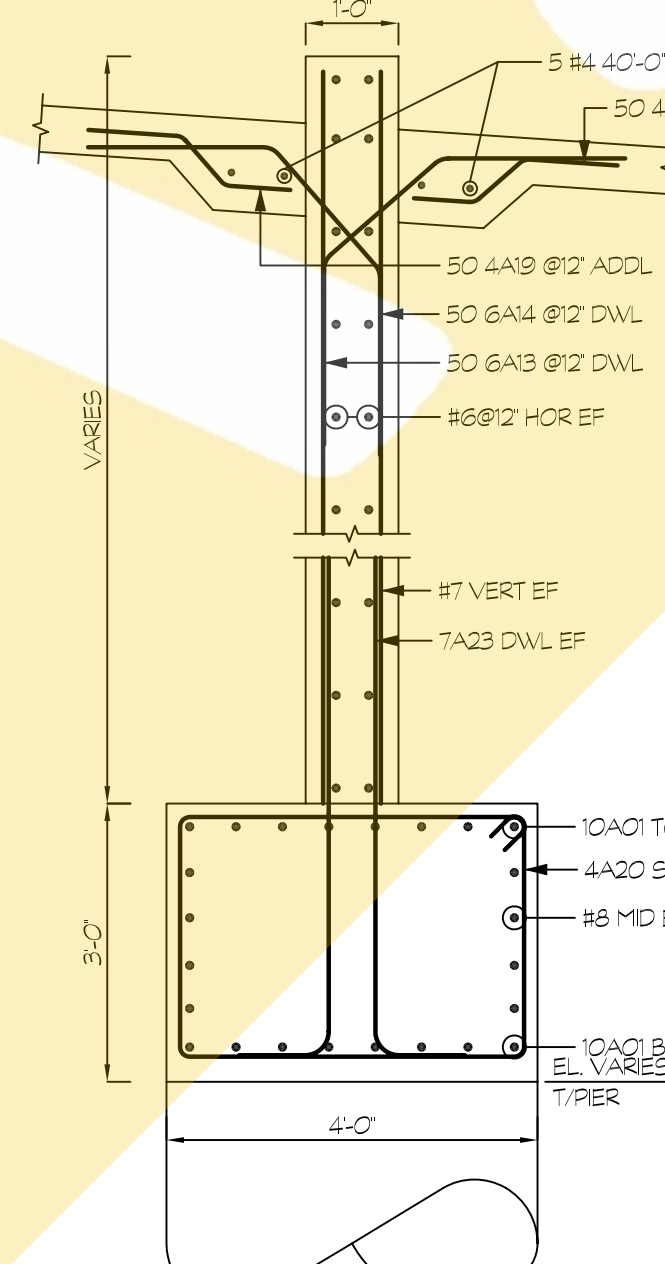
**SECTION 13**  
SCALE 1/2"=1'-0"  
SDR 4/525



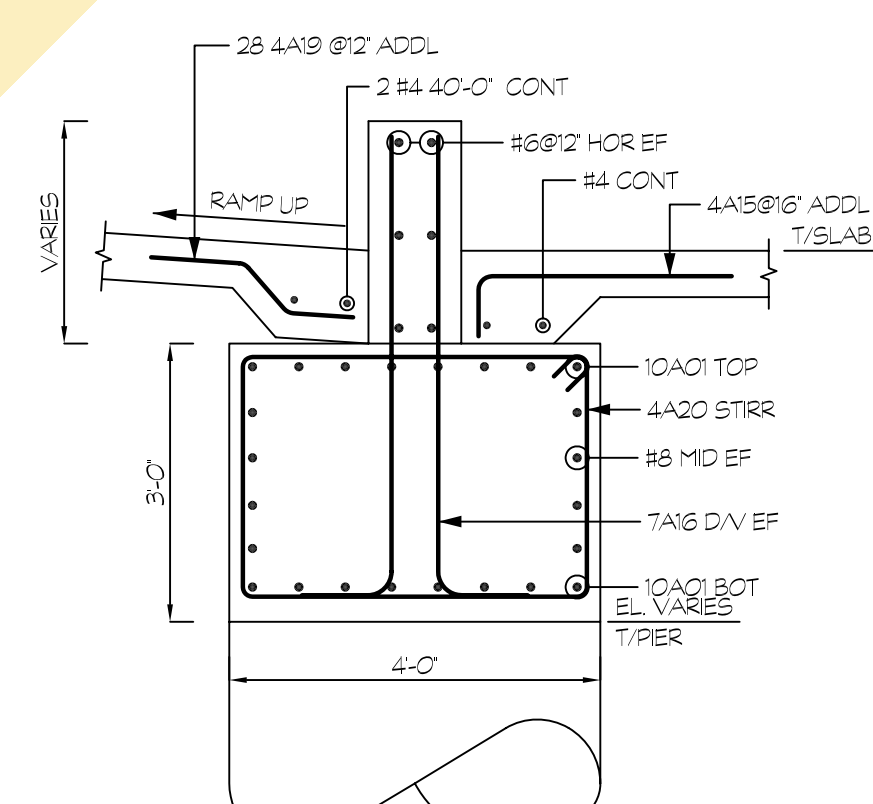
**SECTION 14**  
SCALE 1/2"=1'-0"  
SDR 2/524



**SECTION 18**  
SCALE 1/2"=1'-0"  
SDR 13/522



**SECTION 19**  
SCALE 1/2"=1'-0"  
SDR 13/522



**SECTION 20**  
SCALE 1/2"=1'-0"  
SDR 7/521

